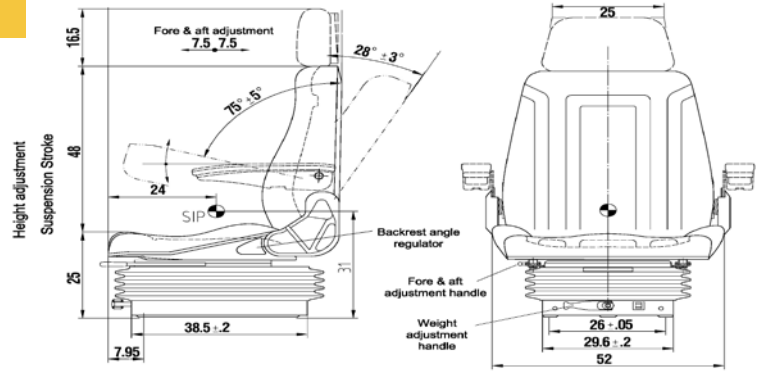




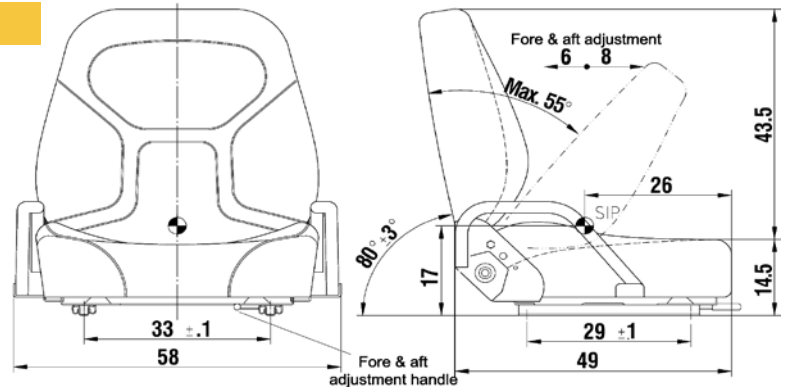
CTP906D

- Weight Adjustment
- Height Adjustment
- Suspension Stroke
- Backrest angle regulator up to 28°
- Fold Forward Seat
- Fore and Aft Adjustment handle
- Adjustable armrest
- Headrest



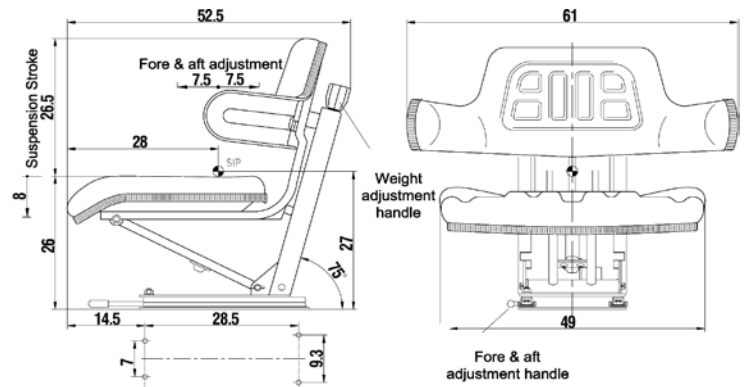
CTP906E

- Fold Forward Max. 55°



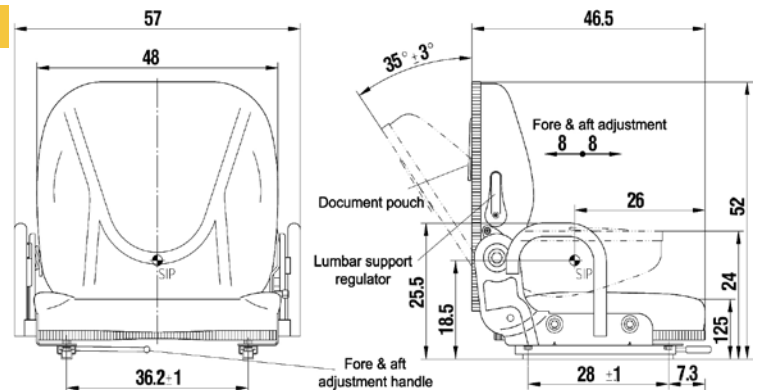
CTP906F

- Integral One piece back foam and PVC trim
- Wraparound back
- Adjustable installation angle between the base plate and back
- Slide rail or plate for Fore and Aft adjustment

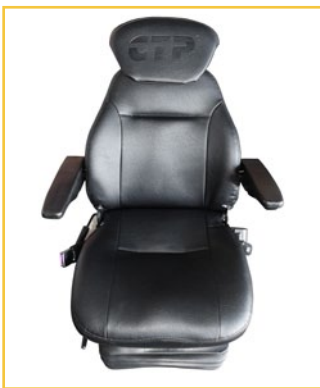


CTP906G

- Document Pouch
- Lumbar Support Regulator
- Fore and Aft Adjustment Handle
- Fold Forward Seat
- Backrest up to 35 Degrees

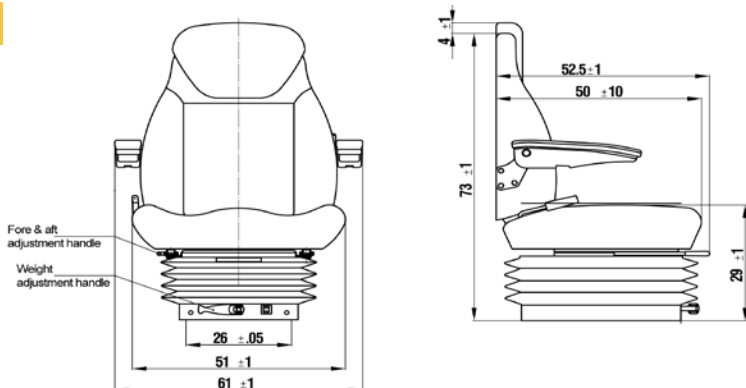


†All Measurements in CM



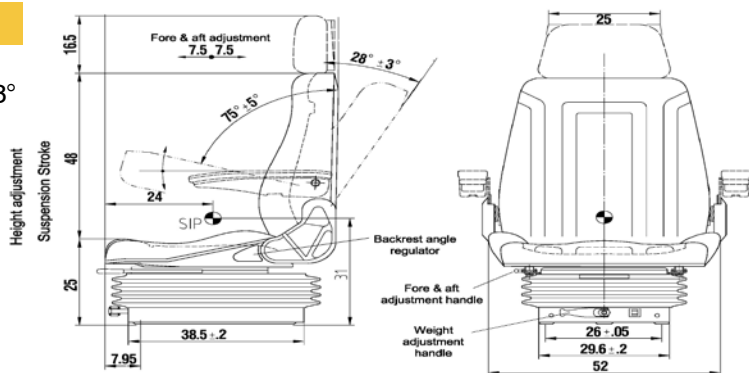
CTP906H

- Headrest
- Flip Up & Adjustable Armrest
- Vinyl Upholstery
- Adjustable Upper Backrest
- Height Adjustment
- Mechanical Suspension
- Adjustable Back Rest, up to 80°
- Weight Adjustment
- Fold Forward Max. 55°
- Slides for Fore and Aft Adjustable



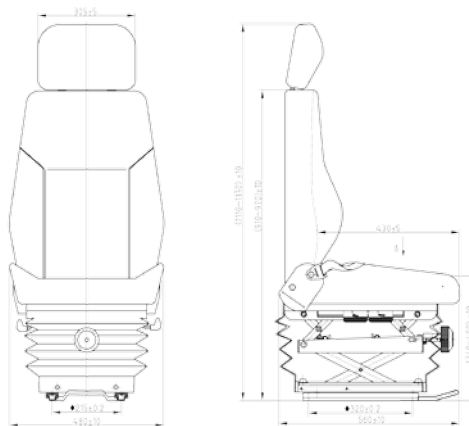
CTP906I

- Mechanical Suspension
- Backrest angle regulator up to 28°
- Weight Adjustment
- Height Adjustment
- Fold Forward Seat
- Fore and Aft Adjustment handle
- Adjustable armrest
- **Swivel Plate 360°**



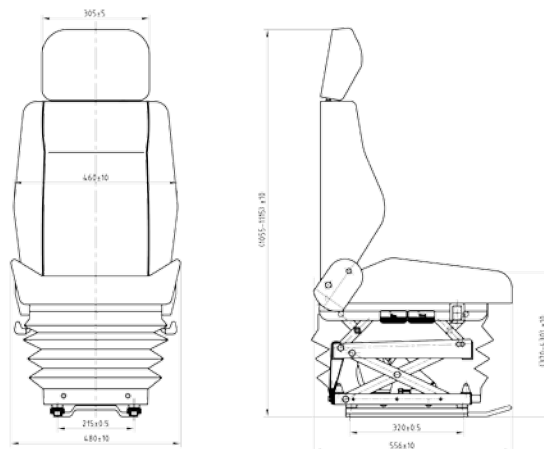
CTP906J

- Weight Adjustment
- Height Adjustment
- Air Suspension
- Backrest angle regulator up to 40°
- Fore and Aft Adjustment handle
- Adjustable armrest
- 12-Volt power supply



CTP906K

- Weight Adjustment
- Height Adjustment
- Mechanical Suspension
- Backrest angle regulator up to 40°
- Fore and Aft Adjustment handle
- Adjustable armrest

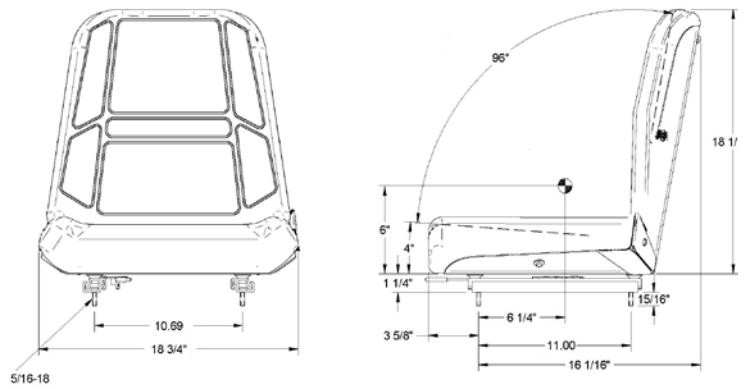


†All Measurements in CM



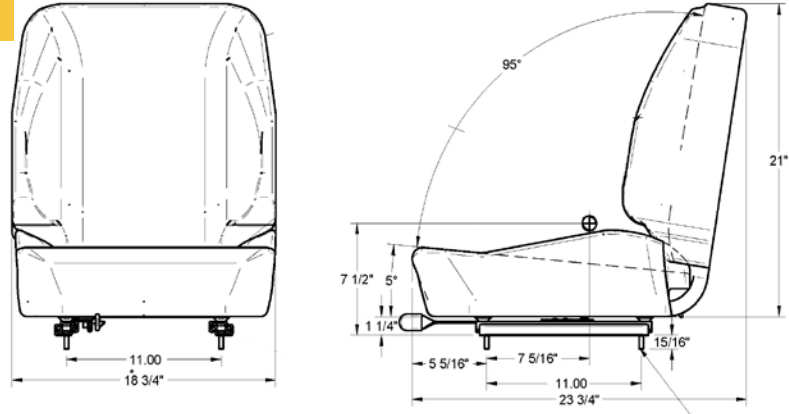
CTP907A

- Fire resistant upholstery materials
- Standard Mounting
- Full foam support



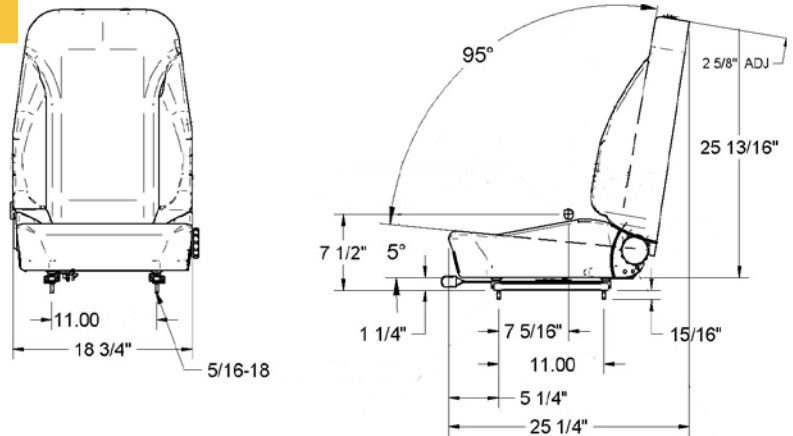
CTP907B

- Fire resistant upholstery materials
- Standard Mounting
- Full foam support
- Lowback support
- Optional arm rest available, Part Number CTP907BA



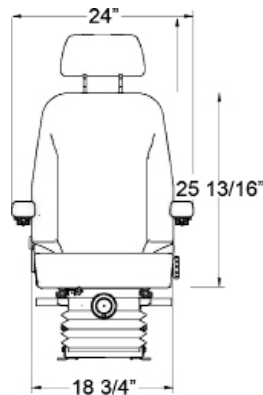
CTP907C

- Fire resistant upholstery materials
- Standard Mounting
- Full foam support
- Mid-High back support
- Optional arm rest available, Part Number CTP907BA



CTP907D

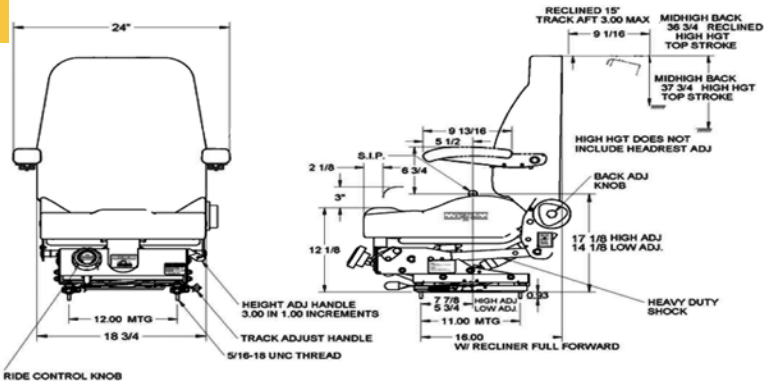
- Vinyl Upholstery
- Height Adjustment
- Mechanical Suspension
- Weight Adjustment
- Optional arm rest available, Part Number CTP907BA
- *Arms sold separately





CTP907E

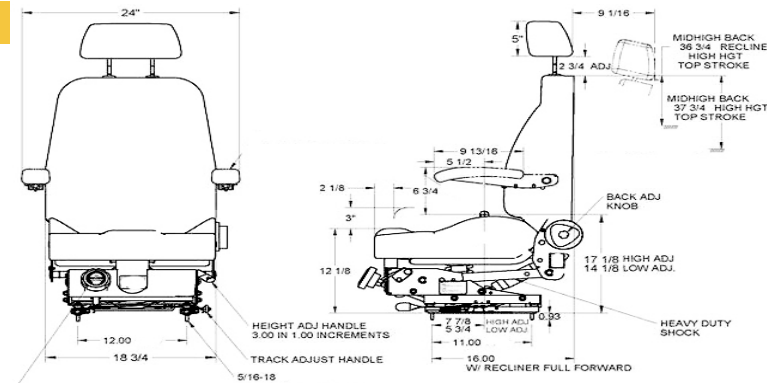
- Patented “knee-action” mechanical suspension
- Built-in, contoured lumbar and thigh support
- High or low-profile backrest
- Easy and fast one-hand control height adjustment with four positive lock positions
- Operator weight adjustments
- Contour comfort cushions
- Backrest angle regulator up to 15°
- Fore/Aft Adjustment handle



CTP907G

- Built-in, contoured lumbar and thigh support
- Mid-Highback backrest
- 2-way lumbar
- Mechanical Suspension
- Headrest
- Self-Skinned arms
- Fore/Aft Adjustment handle

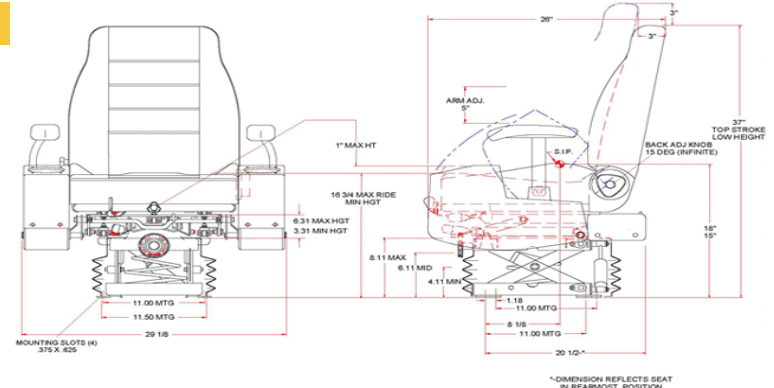
Two weeks for delivery.



CTP907H

- Heavy duty/low profile mechanical suspension
- Adjustable Joystick armrests
- Bellows suspension cover
- Mid-Highback
- 3-inch height adjustment

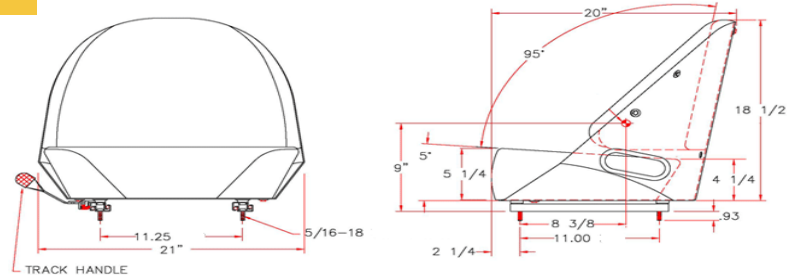
Two weeks for delivery.



CTP907J

- Deep full foam cushion
- Wrap around back for side support
- Heavy duty vinyl covering
- Contoured, ventilated back
- 7-inch fore/aft slide adjustment

Two weeks for delivery.

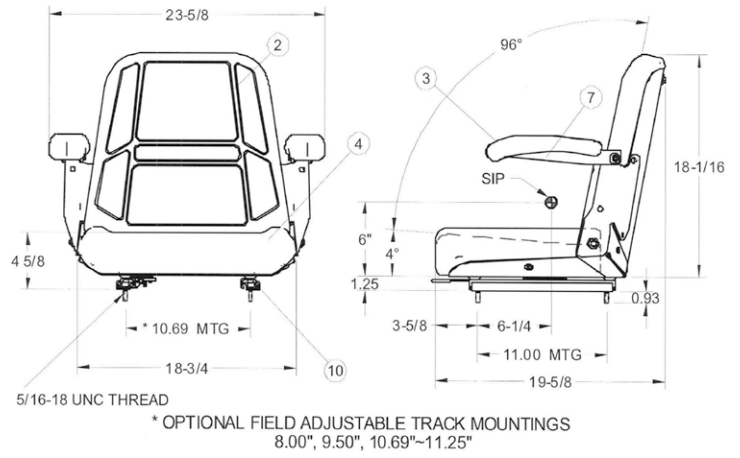


NEW



CTP907L

- Fire resistant upholstery materials
- Standard Mounting
- Full foam support
- Armrest



CTP907AS

- Heavy Duty Air Suspension



SEATBELT2 ^Δ

- Fully retractable seatbelt
- Two point

^Δ This item is sold for orders outside of the US only. Only for Export.



CTP907MS

- Mechanical Suspension



WHICH SEAT DO YOU NEED?

QUICK GUIDE TO THE CTP907-SEATS SERIES

Part No.	Description	Machine Model							
		Bull Dozers	Wheel Loader	Skid Steer Loaders	Backhoe Loaders	Vibratory Compactor	Graders	Scrapers	Excavators
CTP907A	Universal bucket seat fitting those applications where a full height seat is not required such as: Fork lifts			216 226 246 248 262	416C 416D 420D/IT 426C 430D	CS323c CS433c	12G 16G		
CTP907B	Log Loaders, loaders, pavers, skidders, crawlers, tractor, cranes (large construction). Perfect for replacing worn out seat on existing seat suspension.		910 910E 936 950		416C 416D 420D/IT 426C 430D	CS323c CS433c	12G 16G		
CTP907C	Log Loaders, loaders, pavers, skidders, crawlers, tractor, cranes (large construction). Perfect for replacing worn out seat on existing seat suspension.		910 910E 936 950						
CTP907D	On & Off highway applications where air is not available including agricultural, construction and large material handling equipment. Bulldozers	D4 D5 D6 D8	966C 926G 950G						
CTP907E	On & Off highway applications where air is not available including agricultural, construction and large material handling equipment. Bulldozers	D4 D5 D6 D8	966C 926G 950G						
CTP907G	On & Off highway applications where air is not available including agricultural, construction and large material handling equipment. Bulldozers	D4 D5 D6 D8	966C 926G 950G						
CTP907H	Heavy duty, low profile suspension seat. Perfect for Excavators.								300 Series
CTP907J	For applications such as pavers, rollers and scrapers							613 615 621 623	
CTP907L	Universal bucket seat fitting those applications where a full height seat is not required such as: Fork lifts			216 226 246 248 262	416C 416D 420D/IT 426C 430D	CS323c CS433c	12G 16G		

SUMMARY TABLE OF KEY FEATURES

		CTP906A	CTP906B	CTP906C	CTP906D	CTP906E	CTP906F	CTP906G	CTP906H	CTP906I	CTP906J	CTP906K	CTP907A	CTP907B	CTP907C	CTP907D	CTP907E	CTP907G	CTP907H	CTP907J	CTP907L	
Backrest Angle Regulator		✓		✓	✓				✓	✓	✓	✓										
Weight Adjustment handle		✓		✓	✓		✓		✓	✓	✓	✓				✓	✓	✓	✓			
Height Adjustment				✓	✓				✓	✓	✓	✓				✓	✓	✓	✓			
Mechanical Suspension included				✓	✓				✓	✓	✓	✓				✓	✓	✓	✓			
Fold Forward Seat					✓	✓		✓	✓	✓												
Handrail						✓		✓														
Headrest					✓				✓	✓	✓	✓						✓				
Slides for Fore and Aft Adjustment							✓		✓		✓	✓					✓	✓		✓		
Adjustable Armrest		✓			✓				✓	✓	✓	✓					✓	✓	✓			✓
Document Pouch		✓						✓														
Fore and Aft Adjustment Handle		✓	✓	✓	✓		✓	✓		✓	✓	✓					✓	✓	✓	✓		

* Other part no. not included in the list are available. Please contact your sales representative if you have any questions.
Part Numbers are used for reference purposes only